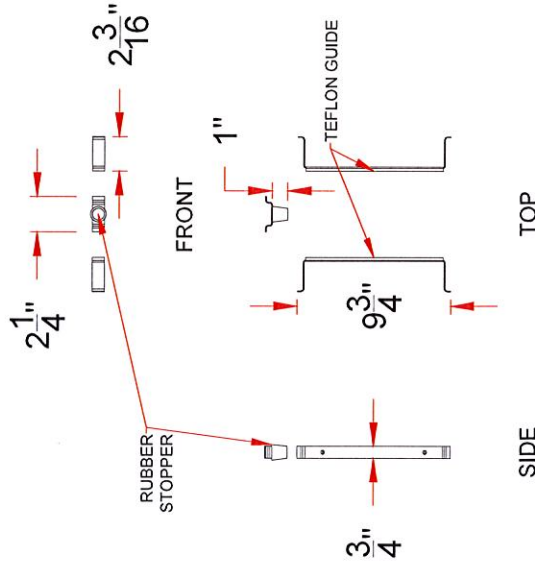
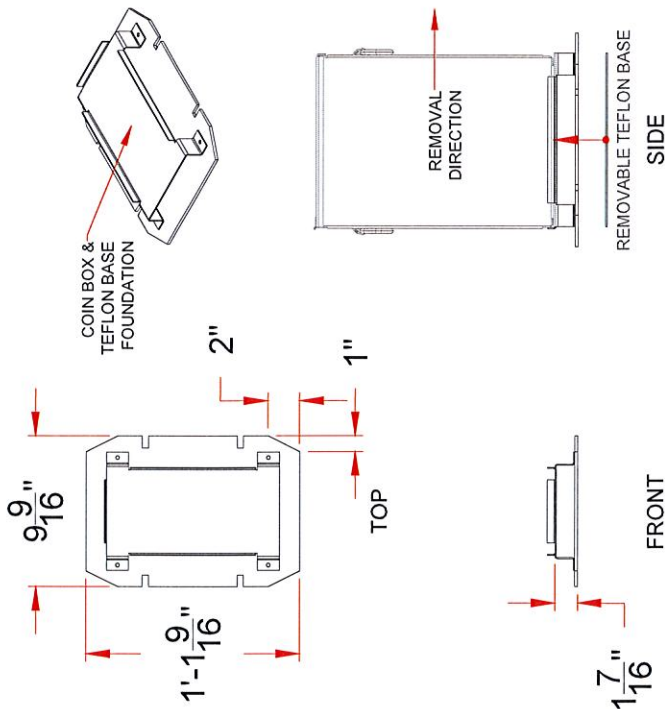


* DIMENSIONS MAY VARY IN ACTUAL INSTALLATION - FABRICATION CHANGES RESERVED *



**RUBBER STOPPER
TEFLON GUIDE BRACKETS**

FIRST DRAWN	BY
9/25/17	C-JC
REVISED	BY
10/23/17	C-JC
10/25/17	C-JC
11/14/17	C-JC

www.TURNSTILES-us

8641 South Warhawk Rd. Conifer, CO 80433

Patrick McAllister Tel: 303-670-1099

2D Equipment Detail
City of Laredo Coin Acceptor Pedestal Redesign
DWG# 111417 CITY of LAREDO C.A.P. 2-ED REVISIONS
DATE 11 / 14 / 17
SCALE = <>
SHEET - 3 OF 6

AUTHORIZED SIGNATURE: *Mark McAllister* DATE: 1/3/2018